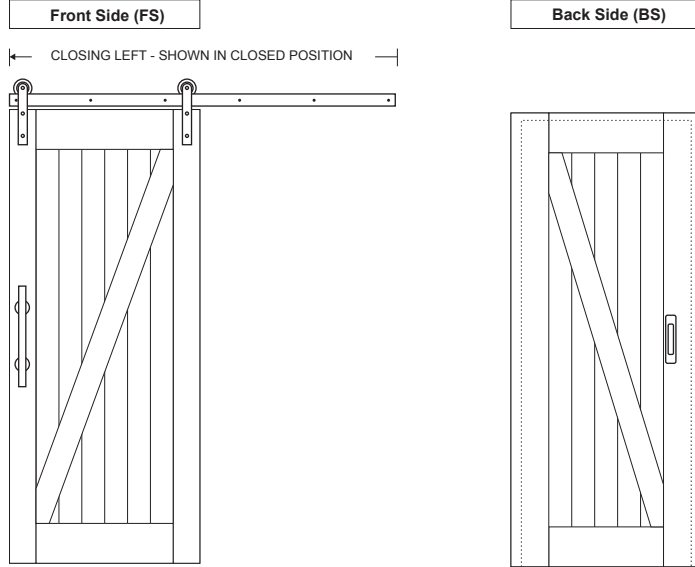
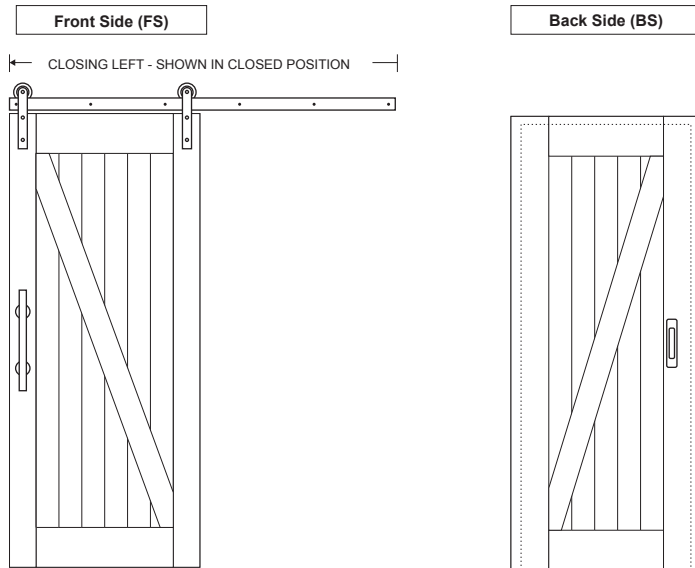


CLOSING TO THE LEFT ←

DESIGN ORIENTATION A - USE CUSTOM ORDER FORM ON PAGE 2

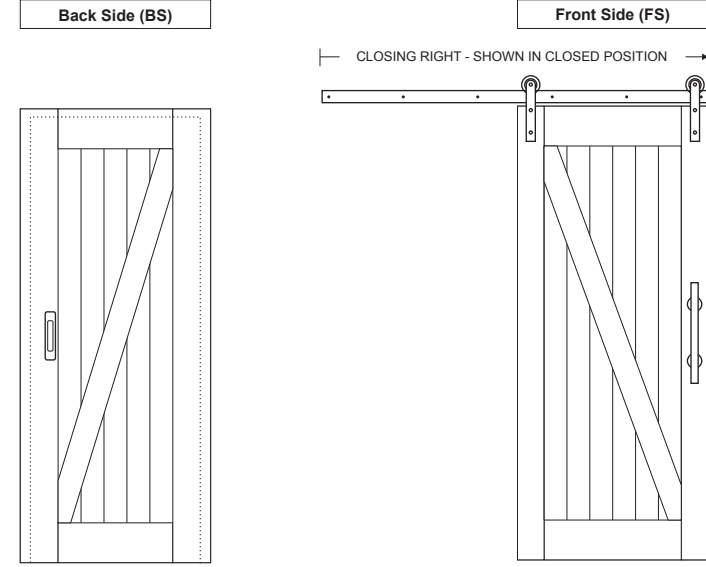


DESIGN ORIENTATION B - USE CUSTOM ORDER FORM ON PAGE 4

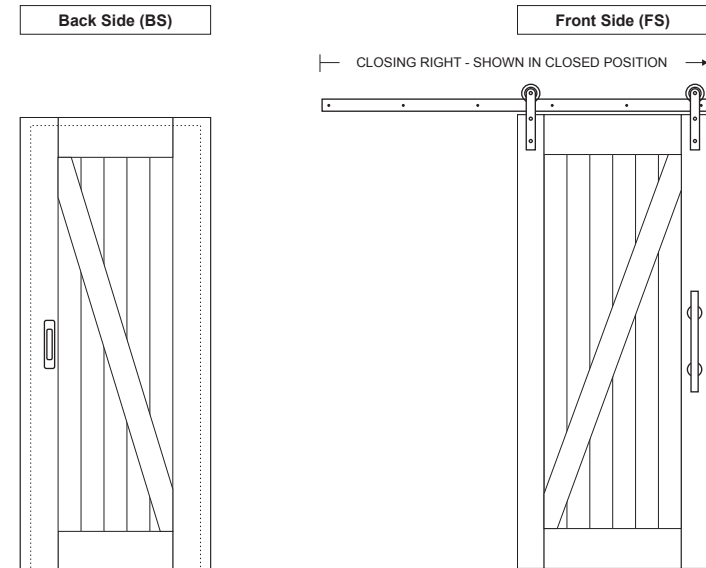


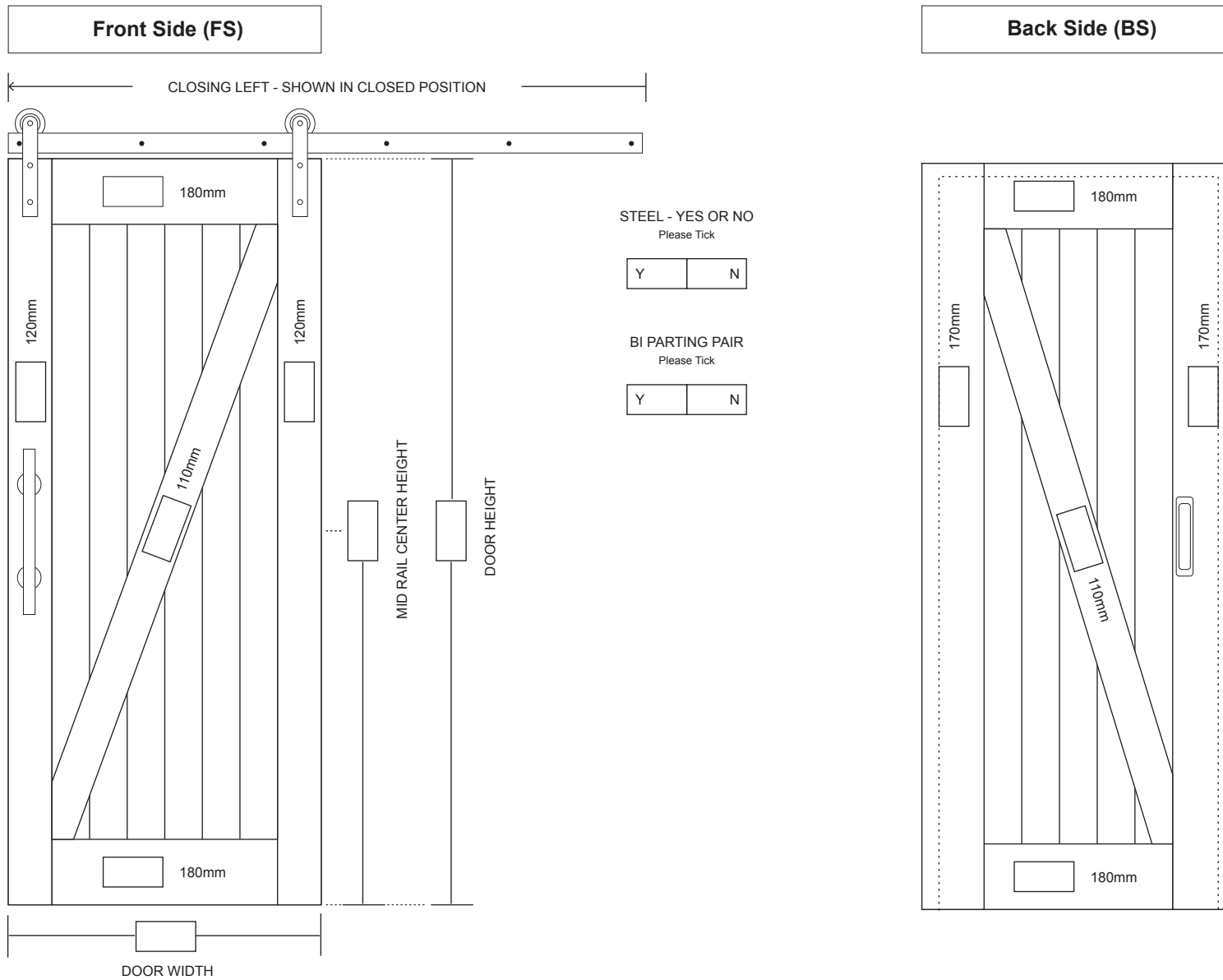
CLOSING TO THE RIGHT →

DESIGN ORIENTATION A - USE CUSTOM ORDER FORM ON PAGE 3



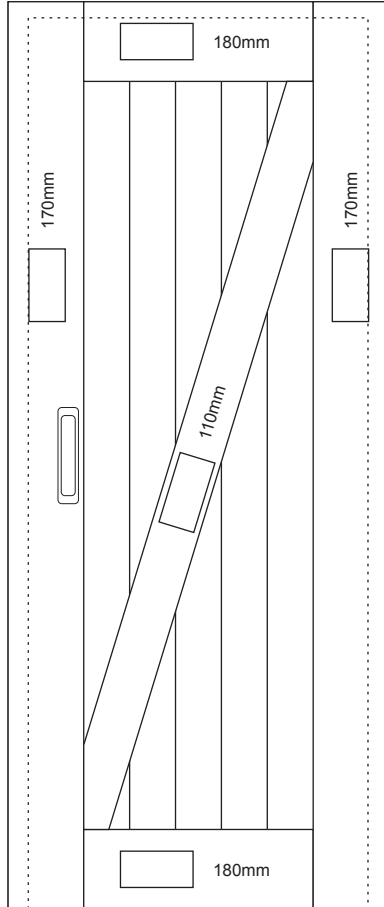
DESIGN ORIENTATION B - USE CUSTOM ORDER FORM ON PAGE 5



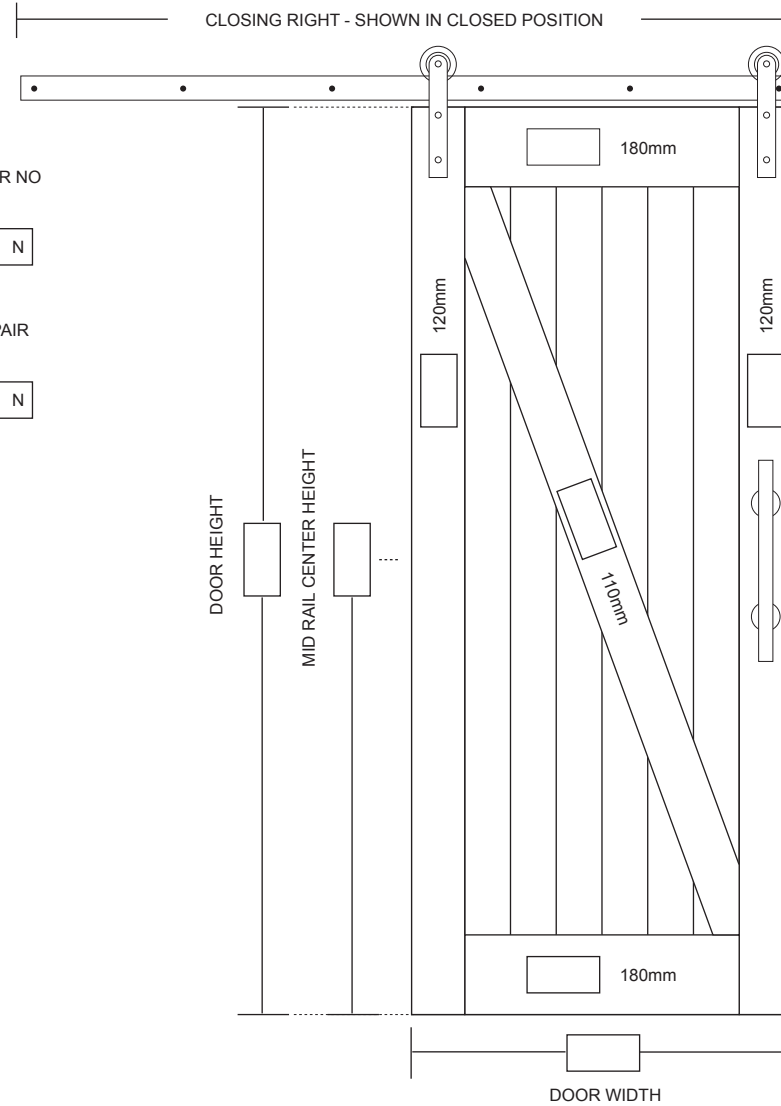


CUSTOMER NAME	ORDER NUMBER	NOTES	ASPIRING - PROGRAM A

Back Side (BS)



Front Side (FS)



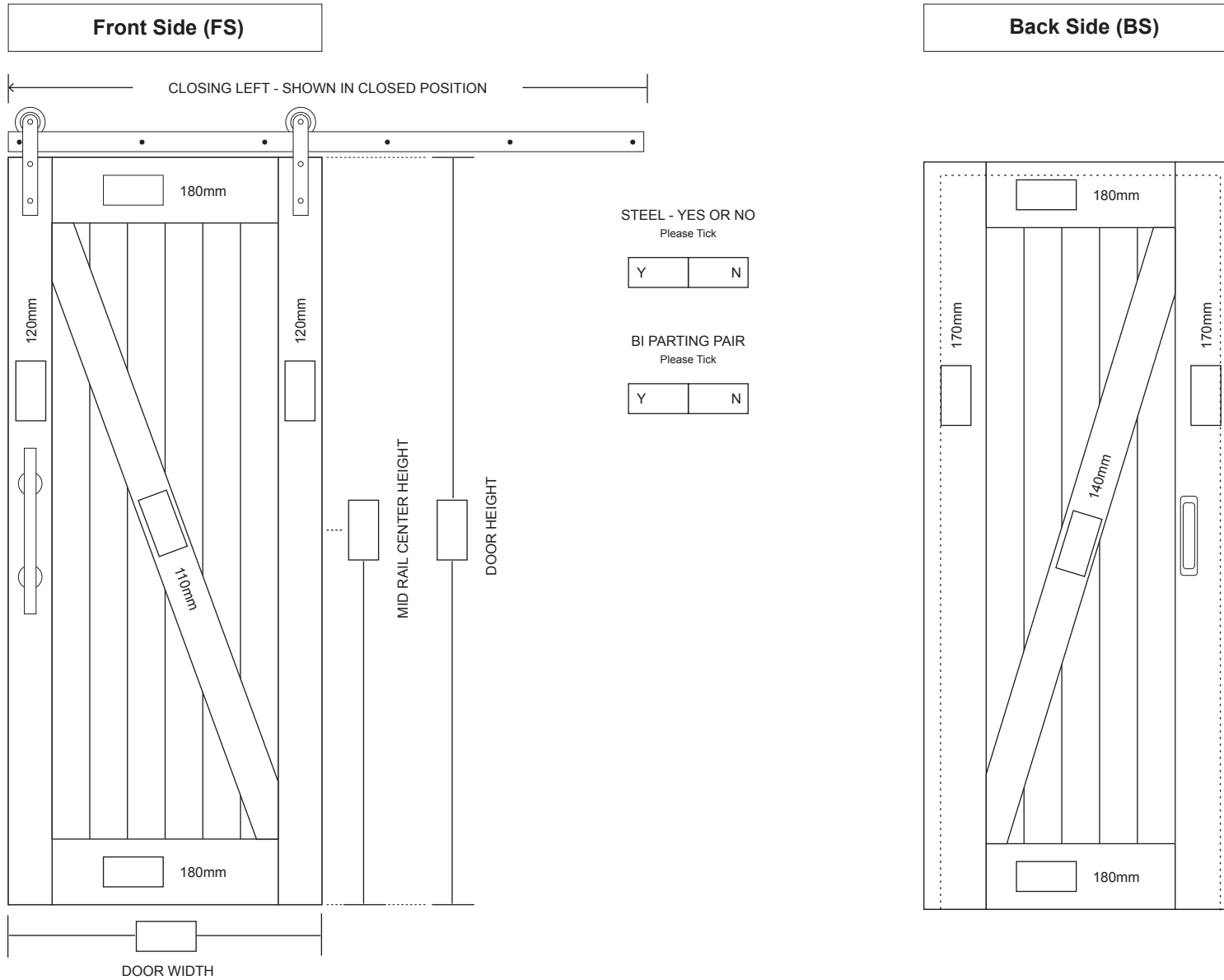
STEEL - YES OR NO
Please Tick

<input type="checkbox"/> Y	<input type="checkbox"/> N
----------------------------	----------------------------

BI PARTING PAIR
Please Tick

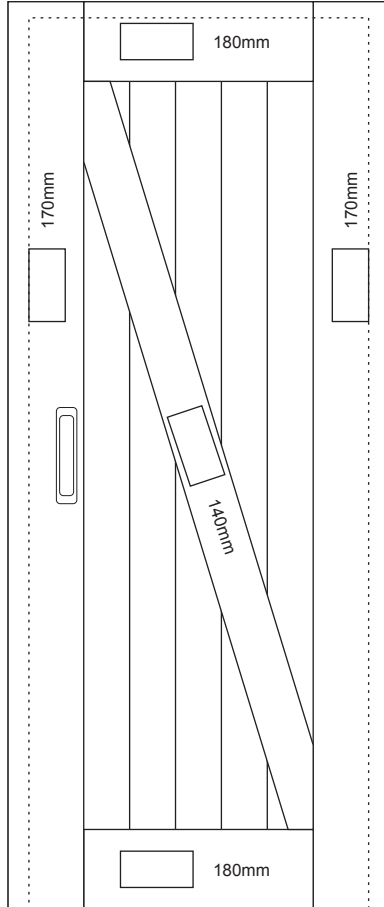
<input type="checkbox"/> Y	<input type="checkbox"/> N
----------------------------	----------------------------

CUSTOMER NAME	ORDER NUMBER	NOTES	ASPIRING - PROGRAM B

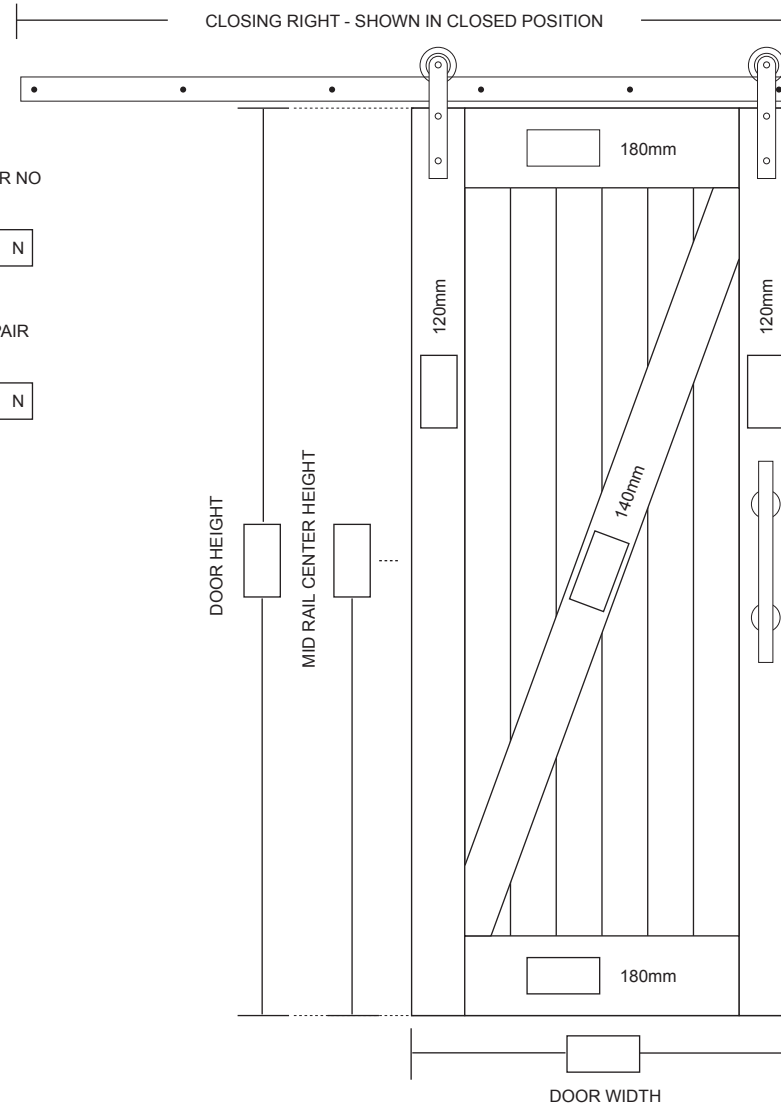


CUSTOMER NAME	ORDER NUMBER	NOTES
		ASPIRING - PROGRAM B

Back Side (BS)



Front Side (FS)



STEEL - YES OR NO
Please Tick

<input type="checkbox"/> Y	<input type="checkbox"/> N
----------------------------	----------------------------

BI PARTING PAIR
Please Tick

<input type="checkbox"/> Y	<input type="checkbox"/> N
----------------------------	----------------------------

CUSTOMER NAME	ORDER NUMBER	NOTES	ASPIRING - PROGRAM A